

TS 60 life TOP

TS 100 life

Tips by the Pro

Also note the Installation instructions and videos at www.doellken-profiles.com, in the Doellken App or on YouTube.



The cored skirting for textile coverings is designed especially for gluing in carpet floor cover strips. Elastic floor coverings may be continued into the skirting, creating harmonious transitions from floor to wall. The inside and outside corners may be accurately and seamlessly punched all-round and the installation will be invisible if UZIN adhesive strip or Döllken hot melt adhesive are used. The flexible floor lip also ensures an optimal abutment to the floor.

Advantages at a glance:

- self-adhesive fastening of carpet strips, also without adhesive strips for problematic backs (only white [1013])
- highly flexible skirting
- using the punch for seamless outside and accurate inside corners
- with cable duct

Any questions about the product or would you like tips by our pros? Then simply contact us:
Hotline: +49 3643/ 4170-222
or via our App!

Döllken
Profiles

we create.
we innovate.

SURTECO GROUP

Product information

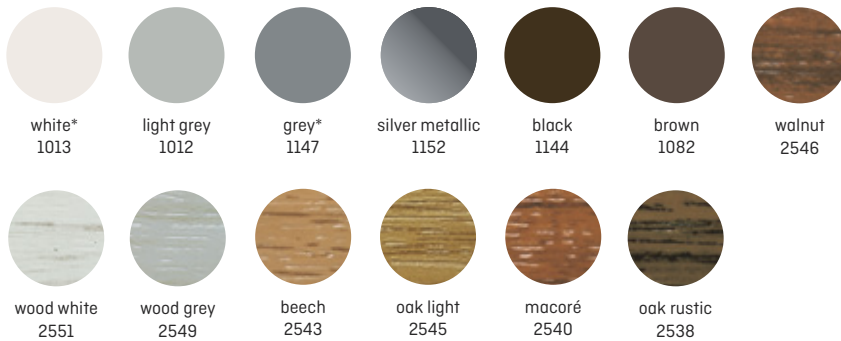


Comprising an HDF core wrapped with PP/TPE based chlorine-free Polyblend and with cable duct. We recommend installation by gluing with the UZIN Toptac 35 application strip that perfectly matches the skirting or by using Döllken hot melt adhesive.

The TS 60 life TOP is also available without adhesive strip for carpets having PVC backing containing softener (only 1013 white).

The end caps are available as matching accessories in four colours (white, grey, black, light grey/wood grey [only TS 60]).

Colours TS 60 life TOP

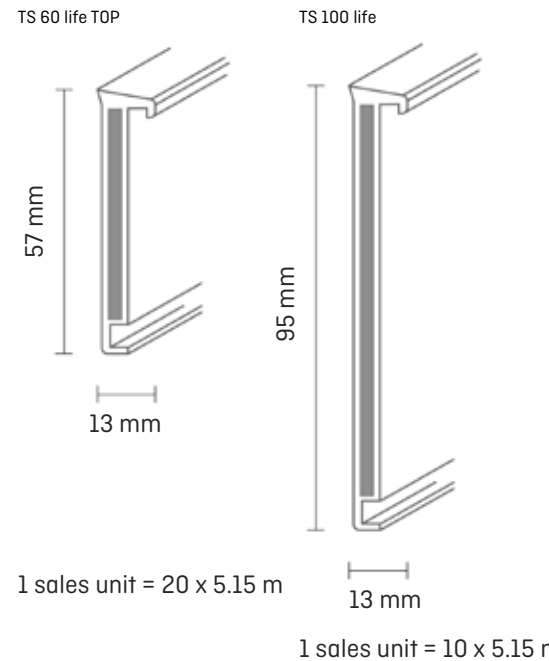


*colours available for the TS 100 life



Processing recommendation



Technical data



New installation videos at www.doellken-profiles.com, in the Doellken App or on YouTube.

Döllken Profiles GmbH
Stangenallee 3
99428 Nohra b. Weimar
Follow us on  

T: +49 3643 4170 711
F: +49 3643 4170 330
info@doellken-profiles.com
www.doellken-profiles.com